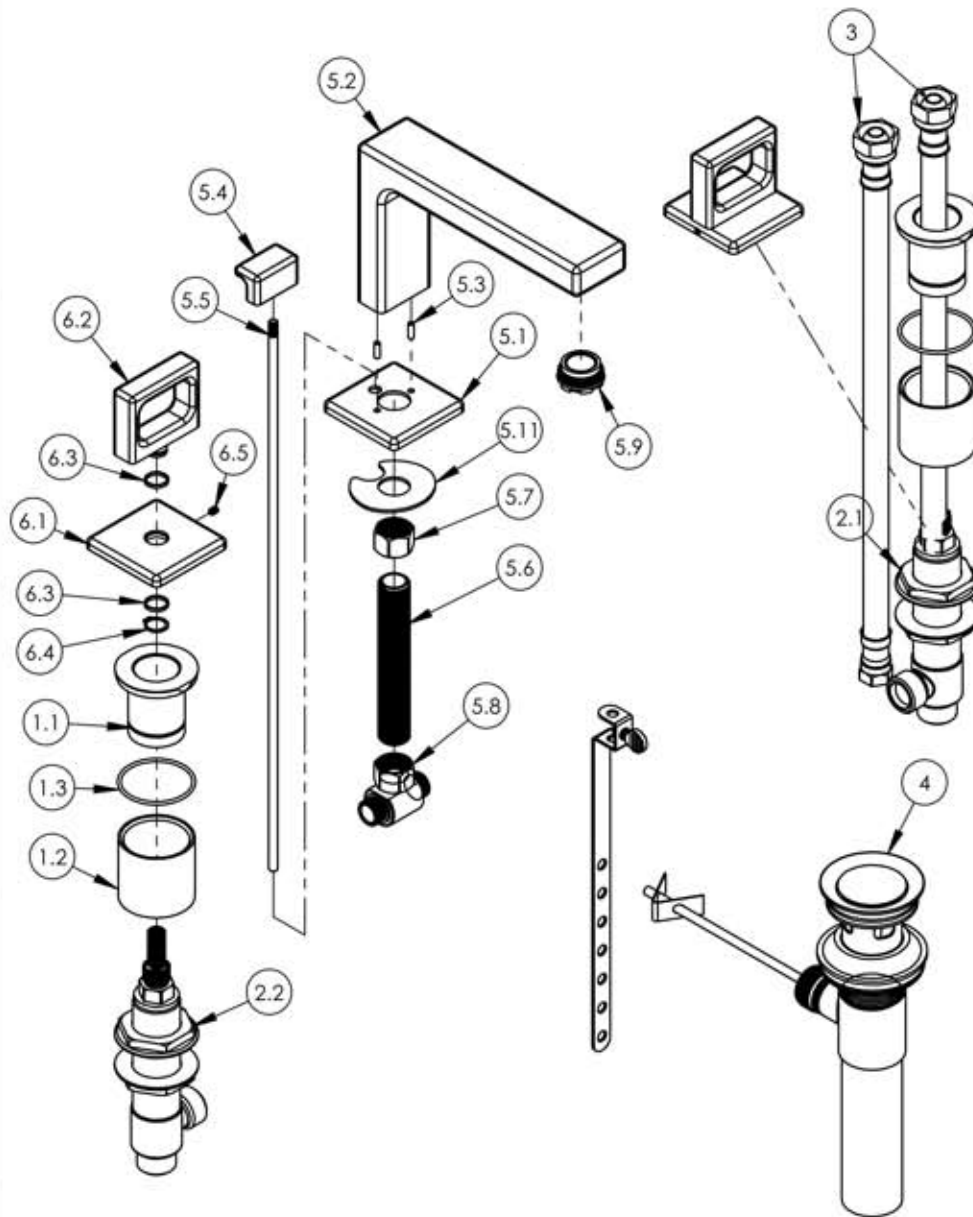


A

B

C

D



ITEM NO.	PART NUMBER	DESCRIPTION	QTY.
1	1-121	RECESSED MOUNTING KIT, COMPLETE, WIDESPREAD LAV.	1
1.1	10998	SLEEVE MOUNT, WIDESPREAD	2
1.2	92180	EXTENSION SLEEVE, WIDESPREAD	2
1.3	90029	O-RING, 1-5/8"ID X 1-3/4"OD X 1/16"THK, AS-568-029	2
2	1-600	WIDESPREAD HOT AND COLD VALVES W/PLASTIC NUTS	1
2.1	1-109	WIDESPREAD VALVE COLD LAV 16PT	1
2.2	1-110	WIDESPREAD VALVE HOT LAV 16PT	1
3	10982	HOSE, 3/8" COMP. X 1/2" NPSM - 12'L	2
4	3-046/00	POP-UP DRAIN ASSEMBLY (2-101, 2-102)	1
5	3-097/00	ASSY, SPOUT WIDESPREAD LAV SOFT HIGH	1
5.1	10933/00	ESCUTCHEON, SPOUT LAV MIX SERIES	1
5.2	10944/00	SPOUT, WIDESPREAD LAV LOW MIX	1
5.3	92158	DOWEL PIN, 1/8" X 3/8"L	2
5.4	10956/00	POP-UP KNOB, MIX SERIES	1
5.5	10719/00	POP-UP ROD, 10-24, 14" LONG	1
5.6	10745	THREAD ALL, 3/8"-18 NPSL	1
5.7	10746	NUT, 3/8"-18 NPSL	1
5.8	1-112	TEE VALVE, 3/8" NPSM X 3/8" COMPRESSION	1
5.9	10560	AERATOR, PCA CACHE 1.5GPM, M24X1.0 GREEN	1
5.10	90031	O-RING, 1-3/4"ID X 1-7/8"OD X 1/16"THK, AS-568-031	1
5.11	92174	WASHER MOUNT WIDESPREAD (3/8")	1
6	3-103/00	ASSY, HANDLE WINDOW MIX	2
6.1	10932/00	ESCUTCHEON, HANDLE MIX SERIES	1
6.2	10925/00	HANDLE, RING/WINDOW MIX SERIES	1
6.3	92176	WEAR WASHER	2
6.4	92177	RETAINING RING, 7/16" SHAFT	1
6.5	92005	SET SCREW, CUP PT 6-32UNC THREAD 3/16"L	1
6.6			1

E

ZONE	REV.	DESCRIPTION	DATE	APPROVED
REVISIONS				

1261 LOGAN AVENUE COSTA MESA, CALIFORNIA 92626 PHONE: 714.361.4800 FAX: 714.617.3120		PHYL RICH Defining Luxury Since 1959	PROPRIETARY AND CONFIDENTIAL THE INFORMATION CONTAINED IN THIS DRAWING IS THE SOLE PROPERTY OF RKS MANUFACTURING. ANY REPRODUCTION IN PART OR AS A WHOLE WITHOUT THE WRITTEN PERMISSION OF RKS MANUFACTURING IS PROHIBITED.
---	--	--	---

-		INTERPRET GEOMETRIC DIMENSIONING & TOLERANCING IN ACCORDANCE WITH ASME Y14.5-2009 & ASME Y14.41-2003 STANDARDS, UNLESS OTHERWISE SPECIFIED. DIMENSIONS ARE IN INCHES. TOLERANCES ARE:		
NEXT ASSY	USED ON	FRACTIONS ±1/64"	DECIMALS X.X: ±.1 X.XX: ±.01 X.XXX: ±.005	ANGULAR ±.5°
APPLICATION		NAME DATE		
MATERIAL	DRAWN LLO 8/6/2015			
FINISH	CHECKED GRE			
DO NOT SCALE DRAWING				

WIDESPREAD FAUCET, RING HANDLE, MIX SERIES

SIZE	ASM/PRT NO.	REV
A	290L-03/00	-
SCALE: 1:4	WEIGHT: lbs.	SHEET 1 OF 2

5

4

3

2

1